

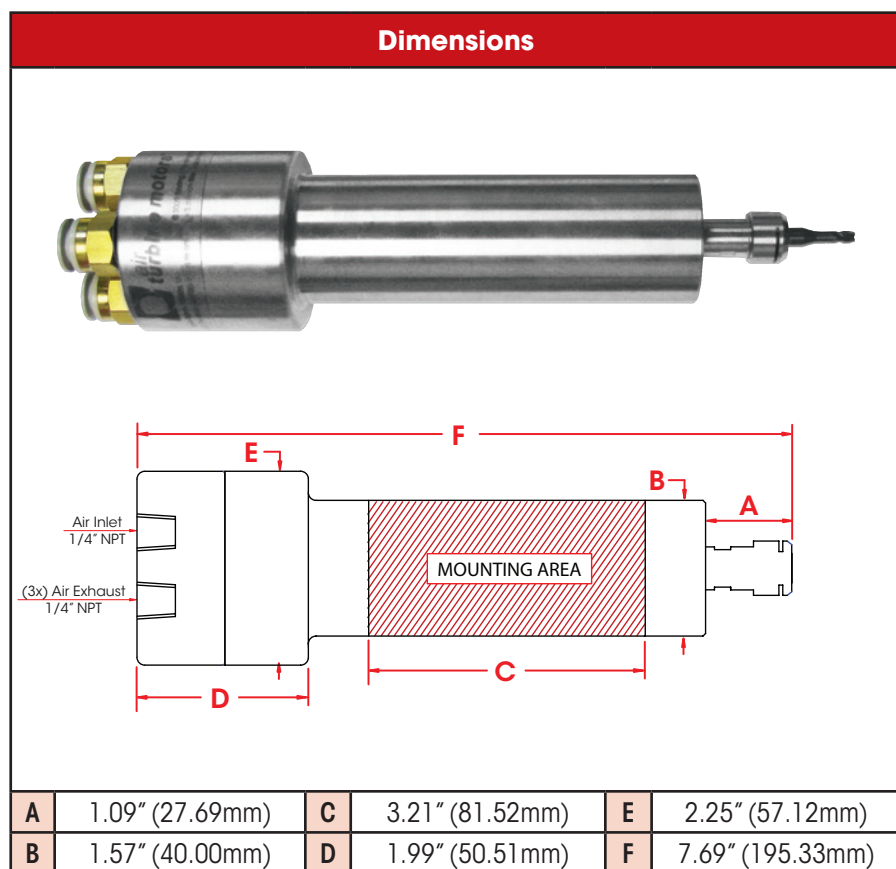
# 740XP - Steel Motor Mount Series



Suitable for heavier applications, the patented double turbine **740XP** generates 0.76 hp and 50,000 rpm. The **740XP**'s governor keeps your speed high under load. This is a low vibration motor with just 2 moving parts and air cooled ceramic bearings for reliable operation 24/7. Versatile - for finishing, milling and drilling.

Accelerate your production and cut your repair costs and downtime. Eliminate control systems and maintenance. Ideal for lathes, swiss automatics, robotics and finishing. Specify angular bearings for drilling.

Mountable area of 40mm by 82mm. Completely sealed with hose exhausts.



| 740XP Series |        |            |        |
|--------------|--------|------------|--------|
| ER11 - 1/4"  |        | ER11 - 6mm |        |
| Speed RPM    | Part # | Speed RPM  | Part # |
| 30,000       | 70052  | 30,000     | 70053  |
| 40,000       | 70054  | 40,000     | 70055  |
| 50,000       | 70056  | 50,000     | 70057  |

| Accessories                                  |        |
|--|--------|
| Model  | Part # |
| High Flow Filter / Regulator / Extractor     | 30008  |
| Tube 12mm O.D. - 10mm I.D. (order by foot)   | 16509  |
| Hose & Fitting - 12mm O.D. - 10mm I.D. - 12' | 30045  |

| General Specifications                 | 740XP                                   |
|--|---|
| Speed RPM                              | 30,000 / 40,000 / 50,000                |
| Power Rating hp (kW)                   | 0.72 (0.54) / 0.74 (0.55) / 0.76 (0.57) |
| Inlet Air Pressure                     | 90 PSI (6.2 Bar)                        |
| Air Consumption Idle cfm (l/s)         | 16 (7.55) / 20 (9.44) / 20 (9.44)       |
| Air Consumption Working Flow cfm (l/s) | 17 (8.02) - 45 (21.2)                   |
| Sound Level                            | Less Than 78 dBA                        |
| Max Shank Capacity                     | ER 11 - 1/4" (6mm)                      |
| Motor Weight                           | 58 oz (1.64 kg)                         |

| Standard Equipment   |
|--|
| Motor, ER 11 Collet System, Keys, Wrenches, included in a carrying case. 1/4" or 6mm collet. |
| Oil free 90 psi / 6.2 bar, clean, dry air supply required.                                   |

Tel: +1.561.994.0500 • Fax: +1.561.994.8097 • [www.airturbinetools.com](http://www.airturbinetools.com) • [info@airturbinetools.com](mailto:info@airturbinetools.com)

Use couplings / hoses with a minimum ID of 5mm for 720, 722, 730 and 732 motors, a minimum ID of 1/4" / 6mm for 202 motors, a minimum ID of 6.5mm for 725MX and 740MX motors, a minimum ID of 8mm for 450, 460 and 740XP motors, a minimum ID of 3/8" / 9.5mm for 210 motors and a minimum ID of 10mm for 450X and 460X motors. Always use a 0.3 micron filter and/or extractor where required and check specified psi or l/s air flow. Use 90 psi / 6.2 Bar clean, dry, oil-free air only. Use eye protection and follow safety instructions. Supply is subject to Air Turbine Tools Inc. terms and conditions of sale and distributor policies in effect for the time being. Subject to availability, change of specifications, price and terms without notice. All specifications approximate. Air Turbine Motors® is the registered trade name of Air Turbine Tools, Inc. © 2017 Air Turbine Tools, Inc. All rights reserved.