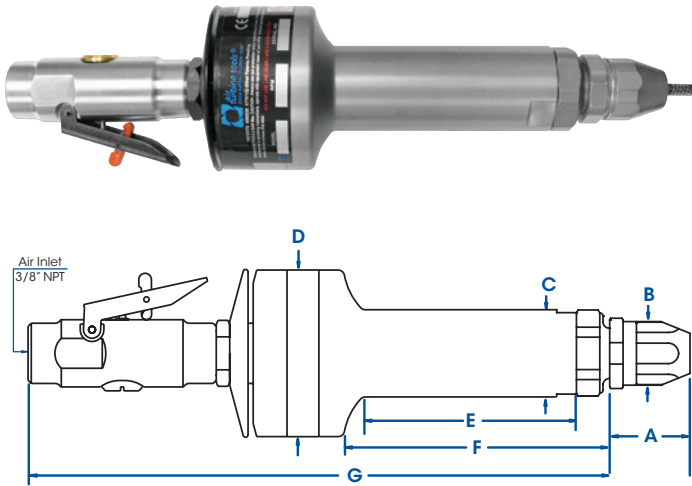


Control and Power - to 0.88 hp. For high speed routing. Wood, plastics and fiberglass are cut faster and cleaner at governed 40,000 rpm with less fiber break-out with the **310RDM**.

Oil-free mechanism results in no oil misting and no part contamination. The **310RDM** with trigger switch control is a light powerful direct drive turbine with only 2 moving parts - resulting in great reliability. A further advantage of the **310RDM** is the tool's low vibration magnitude (just 0.38 mm/s²) and low heat - both improving operator comfort and reducing RSI risk.

Standard Equipment: Hand Tool, 1/4" or optional 6mm collet, collet wrenches, rear exhaust, exhaust deflector and trigger switch. Oil free 90 psi (6.2 bar), clean, dry air supply required.

Dimensions



A	MIN: 1.50" (38.10mm) MAX: 1.63" (41.40mm)		
B	1.19" (30.23mm)	C	1.62" (41.15mm)
D	3.10" (78.74mm)	E	4.01" (101.85mm)
F	5.04" (128.02mm)	G	10.84" (275.34mm)

310RDM Series

1/4"		6mm	
Speed RPM	Part #	Speed RPM	Part #
25,000	33422	25,000	33423
30,000	33432	30,000	33433
40,000	33442	40,000	33443
1/4" w/brake		6mm w/brake	
Speed RPM	Part #	Speed RPM	Part #
25,000	33426	25,000	33427
30,000	33436	30,000	33437
40,000	33446	40,000	33447

Accessories

Model	Part #
High Flow Filter Regulator Extractor with 1/2" NPT	30084
6' Air Supply Assembly w/Fitting for DM Models	30012
12' Air Supply Assembly w/Fitting for DM Models	30013

General Specifications

310RDM

Speed RPM	25,000 / 30,000 / 40,000
Power Rating hp (kW)	0.76 (0.57) / 0.83 (0.62) / 0.88 (0.66)
Inlet Air Pressure	90 PSI (6.2 Bar)
Air Consumption Idle cfm (l/s)	13 (6.14) / 14 (6.61) / 14 (6.61)
Air Consumption Working Flow cfm (l/s)	15 (7.08) - 35 (16.52)
Sound Level	Less Than 67 dBA
Max Shank Capacity	1/4" (6mm)
Hand Tool Weight	39.7oz (1.12kg)

Vibration Statistics

Time to reach EAV 2.5 m/s² A(8)
345 hours, 40 minutes

Time to reach ELV 5 m/s² A(8)
1382 hours, 37 minutes

Vibration magnitude m/s² r.m.s
0.38

Tel:+1.561.994.0500 • Fax: +1.561.994.8097 • www.airturbinetools.com • info@airturbinetools.com

Do not use couplings/hoses less than 1/4" / 6mm Internal Diameter (ID). With 230, 525X, and 3090 units use a minimum 3/8" / 9.5mm ID coupling/hose. For 230X units use a minimum 10mm ID coupling/hose. Always use a 5 micron filter and/or extractor where required and check specified PSI or L/S air flow. Use 6.2 Bar / 90 psi clean, dry, oil-free air only. Use eye protection and follow safety instructions. Supply is subject to Air Turbine Technology Inc. (ATT) distributor policies and upon terms contained in the ATT distributor agreement. Subject to availability, change of specifications, price and terms without notice. All specifications approximate.
© 2014 Air Turbine Technology, Inc. All rights reserved.